



## Key Features

- Support GPS L1\L2、GLONASS L1\L2 and BDS B1\B2\B3 frequencies.
- Sub-centimeter phase center repeatability.
- LNA has high gain to ensure operation with long cable.
- Mini size and lightweight
- Small rugged package ideal for aviation and vehicle applications
- Radome uses heat resistant material and protects internal components by heat insulation design.
- Unique waterproof design ensures the absolutely seal of kernel part and operation outdoors.

## Aviation Antenna HX-CA7607A

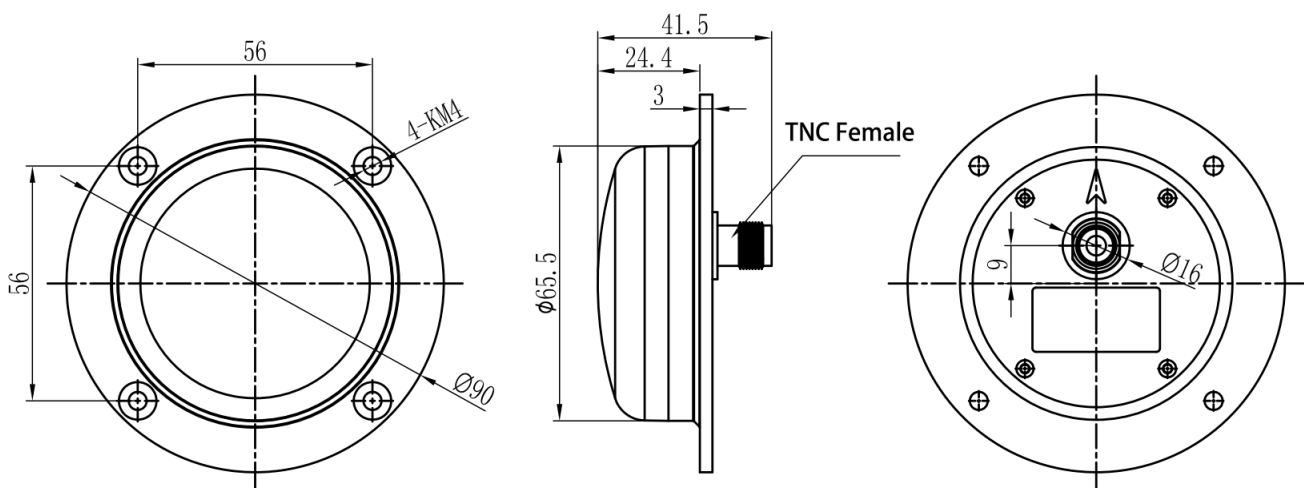
HX-CA7607A antenna has been designed to support high accuracy aerial, land and marine applications in one compact design with high-performance and light weight.

This antenna is an aviation type of design, which has 4 holes bulkhead mounting allows the antenna to be used in the most rugged of environments. This is an ideal design for customers building machine control systems. The antenna can be mounted flush with the vehicle surface or on the top of a pole mount. The TNC connector is located on the underside of the unit ensuring the attached cable is also protected from the environment.

# Technical Specifications

Antenna Specification	
Frequency Range	BDS B1/B2/B3 GPS L1/L2 GLONASS L1/L2
Impedance	50ohm
Polarization	RHCP
Axial Ratio	≤3dB
Azimuth Coverage	360°
Output VSWR	≤2.0
Peak Gain	4dBi
LNA Specification	
LNA Gain	36±2dB
Noise Figure	≤2.0dB

Output VSWR	≤2.0
Operation Voltage	3.3~12VDC
Operation Current	≤45mA
Group Delay	≤5ns
Mechanical Specification	
Dimension	φ 90*41.5mm
Connector	TNC Female
Weight	137g
Environment Specification	
Storage /Operating Temp	-55°C ~ +85°C
Operating Temp	-40°C ~ +80°C
Humidity	95% No-condensing



Top view

Side view

Bottom view

Dimension (mm)

## Harxon Corporation

www.harxon.com sales@harxon.com  
Tel: +86 0755-26989948 Fax: +86 0755-26989994



HARXON AUTHORIZED DISTRIBUTION PARTNER